



Trac-Rite[®] Door, Inc.

MODEL 940/944/944WL/945

SPRING REPLACEMENT GUIDE TENSION ADJUSTMENT SYSTEM **IN USE**

NOTE!

Before beginning replacement, read this guide and the complete Installation Manual to familiarize yourself with all components.

All figures in this guide represent a Model 944 door. The other doors covered in this guide have differences such as curtain corrugation, bracket and guide shape, and/or wind locks.

Before beginning, gather all tools and supplies needed and place them in the unit. This will include:

- (2) 1/2" Wrenches or sockets
- Drill or screw gun (5/6" or 3/8" nut driver bit)
- Pliers
- Replacement spring(s)
- Winding bar
- Ladder
- Work gloves

1. Replace both springs on doors with two springs, even if only one spring is broken.

2. Close door and remove all tension from all springs using the winding bar or equivalent. To remove tension, insert winding bar into tension wheel and move down 1" to unlock ratchet. Push tension lock pin toward wall and raise winding bar 2". Release tension lock pin. Move up 1/8 turn until ratchet locks in place. Repeat until all tension is removed from the spring. See Figure 1.

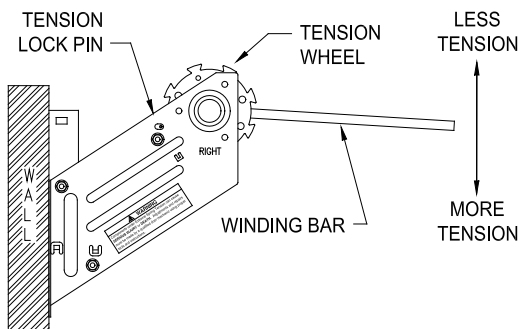


Figure 1.

3. Unbolt the spring(s) from the inside of the drum using a 1/2" wrench. Starting on one side of the door, remove the cotter pin and unbolt the bracket from the wall. Unfasten the bracket from the guide (the door curtain will be supported by the opposite bracket and the door guides).



WARNING

Components under extreme spring tension can cause **SERIOUS INJURY** or **DEATH**. Adjustments and repairs must be made by a qualified door mechanic using proper tools and instructions. Remove all tension from door before unbolting spring(s). Care must be taken that the door does not spin around free, as this may cause personal injuries and damage to the door curtain.

4. Remove the old spring/tensioner assembly. Replace with new spring by removing the 5/16" bolt and flat washer and reinstall the tensioner on the spring according to Figure 2. NOTE: The left spring is always color coded blue (viewing door from inside looking out).

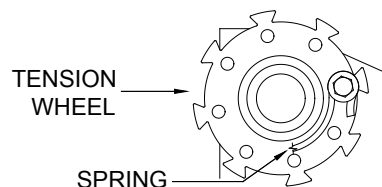


Figure 2.

5. Reinstall the spring/tensioner assembly according to Figure 3. 3. Attach bracket to wall and guide. Reinstall cotter pin.

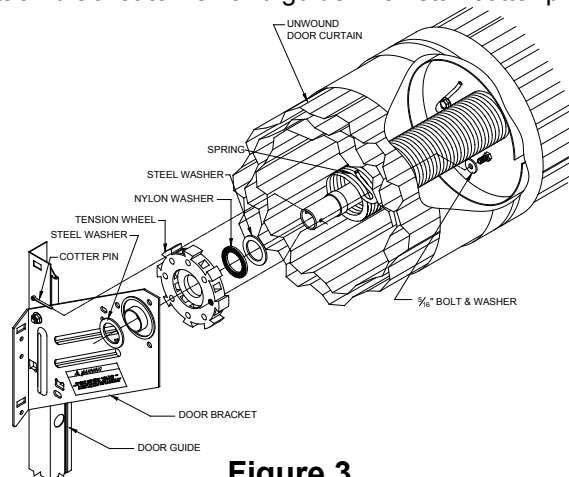


Figure 3.

6. Add tension to spring using the tension wheel. Start with five turns and add or remove tension as necessary. (1 turn = 8 clicks of the tension wheel) See Figure 1.

TENSION ADJUSTMENT SYSTEM **NOT IN USE**

NOTE!

Before beginning replacement, read this guide and the complete Installation Manual to familiarize yourself with all components.

All figures in this guide represent a Model 944 door. The other doors covered in this guide have differences such as curtain corrugation, bracket and guide shape, and/or wind locks.

Before beginning, gather all tools and supplies needed and place them in the unit. This will include:

- (2) 1/2" Wrenches or sockets
- 7/16" Wrench or socket
- Drill or screw gun (5/16" or 3/8" nut driver bit)
- Pliers
- Replacement spring(s)
- Tie down straps/ rope
- Ladder
- Work gloves



CAUTION

Use proper lifting equipment and correct lifting procedures to avoid injury.

1. Replace both springs on doors with two springs, even if only one spring is broken.

2. To replace the spring, first remove the door stops, keepers, and exterior handle. If both springs are broken, continue to Step 3.

2.2 Open the door but **DO NOT** allow it to come out of the guides. Use two tie down straps to secure the door curtain in a roll as it comes out of the guides. If tie down straps are not available, rope can be substituted. See Figure 1.

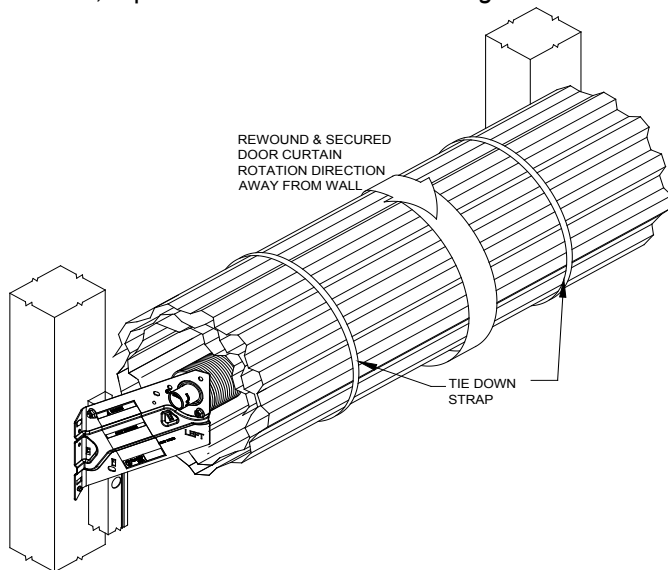


Figure 1.



WARNING

Components under extreme spring tension can cause **SERIOUS INJURY** or **DEATH**. Adjustments and repairs must be made by a qualified door mechanic using proper tools and instructions.

Remove all tension from door before unbolting spring(s). Care must be taken that the door does not spin around free, as this may cause personal injuries and damage to the door curtain.

2.3 Carefully rotate the door away from the wall until NO tension is on the spring(s). Unbolt the spring(s) from the bracket using 1/2" wrench.

2.4 Release tie down straps and feed the curtain into the guides using extreme care. WITH NO SPRING TENSION THE FULL WEIGHT OF THE DOOR WILL BE ASSUMED BY THE USER.

3. Close the door and make sure that the spring is visible. Remove the 5/16" bolt from the loop in the end of the door spring using the 1/2" wrench. Do this on the side that is connected to the bracket and the side that is connected to the drum.

4. Starting with one side, remove the cotter pin. Next, unfasten the bracket from the guide and the wall. Remove the bracket from the axle assembly. NOTE: The curtain will be supported by the other end and the door guides. Remove old spring and replace with new spring(s). NOTE: The left spring is color coded blue (viewing door from inside looking out).

5. Reattach the bracket to the axle assembly and install cotter pin. Fasten bracket to guide and wall using fasteners removed in Step 4.

6. Attach new spring to the drum ONLY.

7. Repeat Steps 3 - 6 on doors with two springs.

8. Standing at the top of the door nest, slowly roll door up and keep door as tightly wound as possible. As the door comes out of the door guides, secure with tie down straps or rope. NOTE: A second person will make this easier.

9. Reattach the spring(s) to the bracket(s).

10. Reapply tension to door by spinning the door three times (approx.) toward the header (opposite direction as Figure 1). Release tie down straps and guide the door back into the guides.

11. Check the tension of the door. If the door is properly tensioned it will easily be lifted from the closed position to the open position. To adjust tension repeat steps eight through ten removing or adding turns as necessary.

12. Reinstall the door stops, keepers, and exterior handle.