



PERFORMANCE • VALUE • SERVICE

977

ROLL UP DOORS



Features

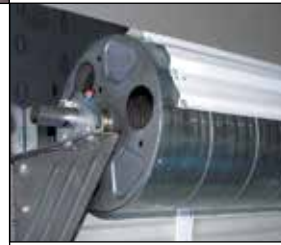
- Strong, Heavy-Duty Materials
- Smooth, Quiet Operation
- Custom Sizes
- Commercial Applications
- 977WL Withstands Higher Wind Loads
- Low Maintenance
- Minimal Back Room Requirements
- Motor Operator Applications
- Rust Resistant
- 30/25 Year Paint, 3 Year Material/Craftsmanship, and 10 Year Spring Warranties

Problem Solved

Trac-Rite's model 977 was designed for performance. With a standard wind rating of 140 mph for 11' wide openings and over 180 mph for a 977WL (windlock), these are seriously strong doors. The doors are loaded with features for long life such as the EP3 coated spring, which resists rust and requires no lubrication. An optional chain hoist system allows for effortless operation for larger door openings, and extra wide felt strips on the back of the door provide smooth operation for decades. A newly redesigned windlock system (977WL) utilizes nylon locks to positively link the door curtain to the guides for greater protection during severe wind events while allowing for easy operation.

Our model 977 door was designed specifically for large door openings where an easy to use, yet cost effective door is required. These doors are the perfect solution for large Boat and RV storage units where a costly sectional door historically has been used. The pre-installed SpaceGuard latch accepts two padlocks and an optional cylinder lock. The doors are available in wide variety of standard colors all at one great price. Our state-of-the art manufacturing provides outstanding quality with a high degree of efficiency.

Trac-Rite takes customer service seriously. We are 100% employee-owned. Every employee has a vested interest in serving our customers. Whether you are interacting with one of our resellers or directly with us, you'll receive prompt responses and knowledgeable assistance.



Dead-axle design with torque-tube assembly allows the door to operate with ease.



As wind blows against the 977WL, the curtain's windlocks engage with the door guide for a strong interlocking grip. This grip keeps the curtain securely in the guide.



Saddle with tensioner device makes adjusting the door tension easier, safer, and quicker than clamp and bracket designs.



Chain hoist mounts below bracket for space-saving installation. 8:1 reduced-drive allows for smooth operation.



The SpaceGuard latch design resists wrenching and prying for superior security and safety. An additional safeguard is the anti-padlock open feature. Accommodates Trac-Rite's optional SpaceGuard cylinder lock for over-locking capability.



Colors vary from actual panel material. Please request a steel color sample for precise shade.

# 977

## ROLL UP DOORS



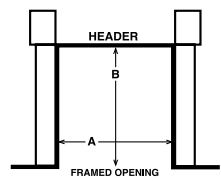
### Mounting Surface & Door Clearance Requirements

Measure the following areas to design a 977 or 977WL door to your specific needs.

#### Framed Opening

Measure the framed opening.

A = Width  
 \_\_\_\_\_"  
 B = Height  
 \_\_\_\_\_"



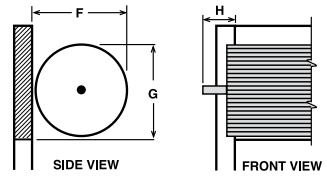
The 977 and 977WL doors are available in custom sizes from 8'W x 8'H to 14'W x 16'H in 1" increments.

**FOR EXAMPLE:** If your framed opening is 14'6" wide and 16'0" high, you would order a 14'6" x 16'0" (width first, height second) door.

#### Door Clearance

Measure the door clearance.

**NOTE:** Insulated doors require an additional 1" of back room and head room.



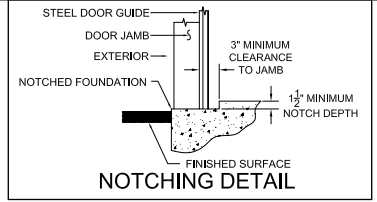
	Minimum Clearance	Your Measurement
F = Back Room	977 = 20" / 977WL = 21"	_____"
G = Head Room	977 = 22" / 977WL = 23"	_____"
H = Side Room	977 / 977WL = 7" and 4-1/2"	_____"

#### Wind Load Ratings

Tested and certified by an independent lab.

Door Width	977 PSF / MPH	977WL PSF / MPH
8'0"	24.0 / 170	37.0 / 211
9'0"	22.0 / 163	37.0 / 212
10'0"	18.0 / 148	22.0 / 188
11'0"	16.0 / 140	22.0 / 178
12'0"	12.0 / 122	22.0 / 165
13'0"	n/a	19.0 / 153
14'0"	n/a	19.0 / 154
15'0"	n/a	n/a
16'0"	n/a	n/a

Exposure based on Category B.



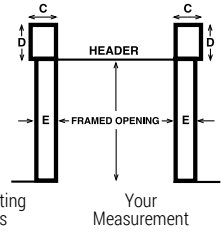
Floor offset recommended to prevent water migration.

\*MPH rating represents wind speed per the International Building Code (IBC), Exposure B. Actual allowable wind speed may vary based on actual site conditions and application.

#### Mounting Surfaces

Measure the mounting surface areas.

NOTE: All mounting surfaces must be flush.  
 C = Width for Chain Hoist 7"\*  
 \*Axle must be field cut.  
 C = Width for No Hoist 4-1/2"



	Minimum Mounting Surface Areas	Your Measurement
Brackets		
C = Width	4.5"	_____"
D = Height	13"	_____"
Guides		
E = Width	3" (5" masonry jambs)	_____"

#### Accessories

- Jamb Brush Seal
- Header Draft Stop
- Exterior SpaceGuard Latch
- SpaceGuard Cylinder Lock
- Insulation
- Hood
- Interior Latches
- Third Party Latches
- Commercial Grade Motor Operator
- Narrow Jamb Plates



### Specifications

**DESIGN TYPE** Dead-axle design with torque-tube assembly. Rotates on a fixed axle during operation.

**TORQUE-TUBE ASSEMBLY** Axle is high-yield structural tubing with 1-5/16" outside diameter. Drums are 12" diameter spiral x 1-1/2" wide, 16-gauge, zinc-coated steel with grease-filled ball bearings mounted in the center of the drum to promote smooth operation. Springs are helical torsion, oil tempered, and coated to halt corrosion. Axle, drums, and springs are enclosed in a 26-gauge galvanized spiral tube to provide even curtain support.

**CURTAIN** Roll-formed sections, factory seamed from 26-gauge, Grade 80 galvanized steel. Siliconized polyester finish in sixteen standard colors. Full-length 2" felt tape for smooth rolling and reduced marring.

**BOTTOM ASSEMBLY** Seal-Rite pliable bulb and blade astragal integrated into galvalume bottom bar with stiffening angle.

**BRACKETS** Universal mounting brackets are interchangeable for mounting on the left or right side. 10-gauge, cold-formed, galvanized steel, embossed for added strength.

**SADDLE WITH TENSIONER** Easily adjustable one-piece saddle accepts 1-5/16" diameter axle. Double cams lock the axle in position and maintain tension on the springs.

**GUIDES** Zinc-coated, 2-3/4" deep. Featuring polypropylene guide runners to assure smooth operation and prevent steel-on-steel contact.

**977WL CURTAIN WINDLOCKS** Black nylon 6/6 secured to door with two 3/16" stainless steel rivets.

**CHAIN HOIST** 8:1 reduced-drive. Mounts directly to the axle on either the left or right side.

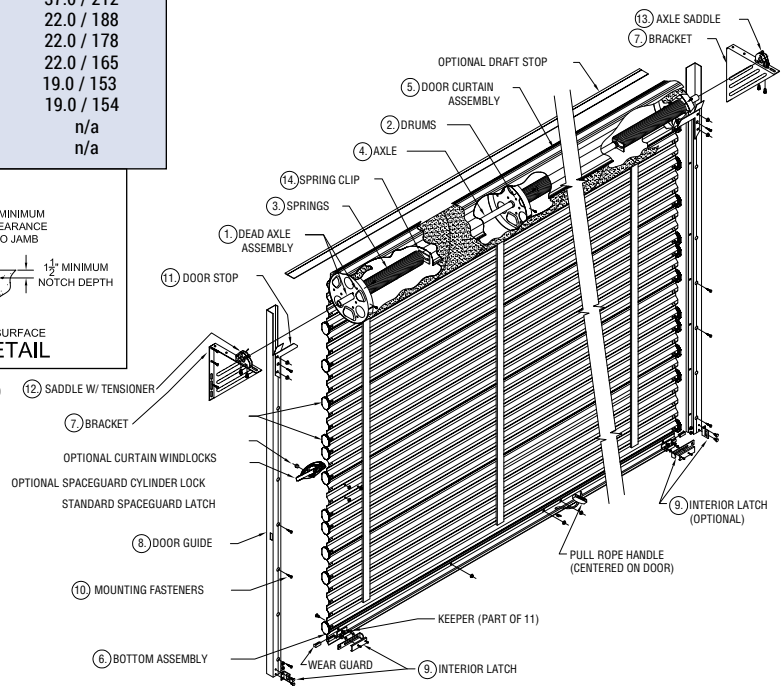
**EXTERIOR LATCHES** Rust-resistant cast zinc alloy with black nickel finish. Latch bar, embossed for strength, is compatible with magnetic security systems. Designed to accommodate two padlocks up to 7/16" shank. Accommodates Trac-Rite's optional SpaceGuard cylinder lock for easy over-locking.

**MOUNTING FASTENERS** Steel or wood fasteners included. For masonry openings, mounting clips and anchoring system are sold separately.

**DOOR STOP** 12-gauge, zinc-coated, L-shaped door stops. Mount to guides.

**PULL ROPE HANDLE** Molded plastic rope handle with long-lasting rope.

Product specifications are subject to change without notice.



#### For more information

PHONE 800.448.8979  
 FAX 800.236.8722  
 WEBSITE www.tracrite.com  
 EMAIL tr@tracrite.com  
 ADDRESS 314 Wilburn Road  
 Sun Prairie, WI 53590